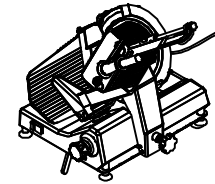
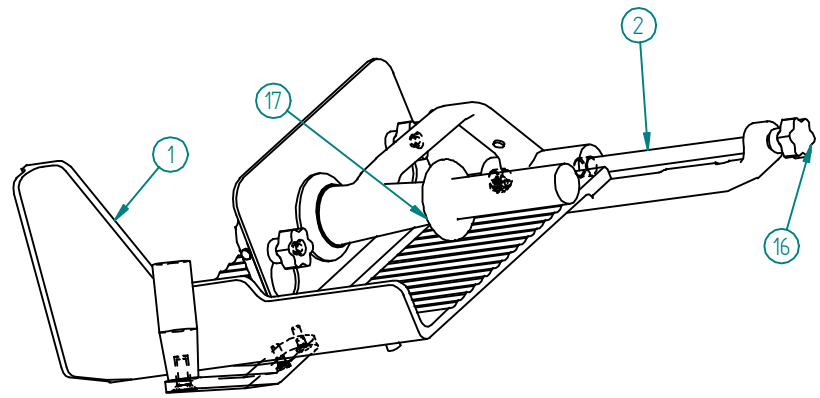


Ref #	Description	Quantity
1	Carriage	1
2	bar, last slice device	1
3	arm, last slice device	1
4	Nylon tip	4
5	no rotate pivot	1
6	End weight assembly ( BLOCK 401)	1
7	handle's plate	1
8	handle M10	1
9	screw M6x5	2
10		1
11	nickelied blind nut M5	1
14	rubber pin	1
15	Stud M10	1
16	Knob	1
17	Handle, last slice device	1
18	Bushing, last slice device	2
19	SET SCREW M5	1



## F.I.A. Boston Model FAST

Block:	2040000
Description	Chute assembly (BLOCK 400)
Date	09/03/2005